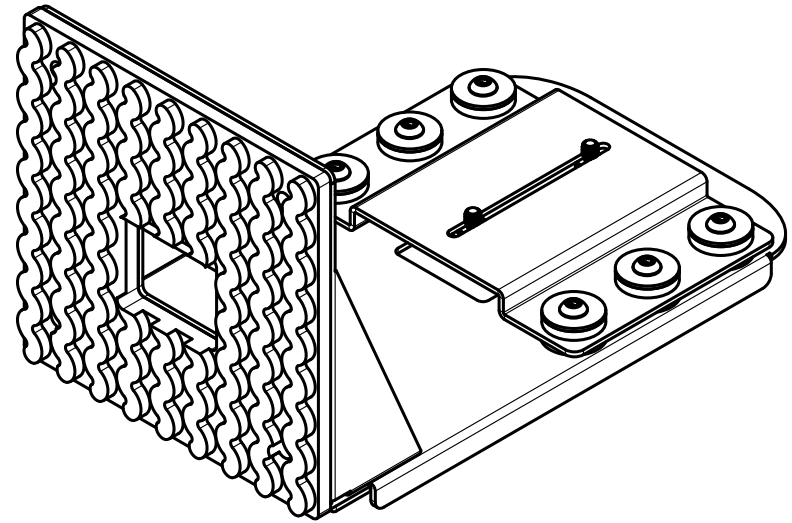
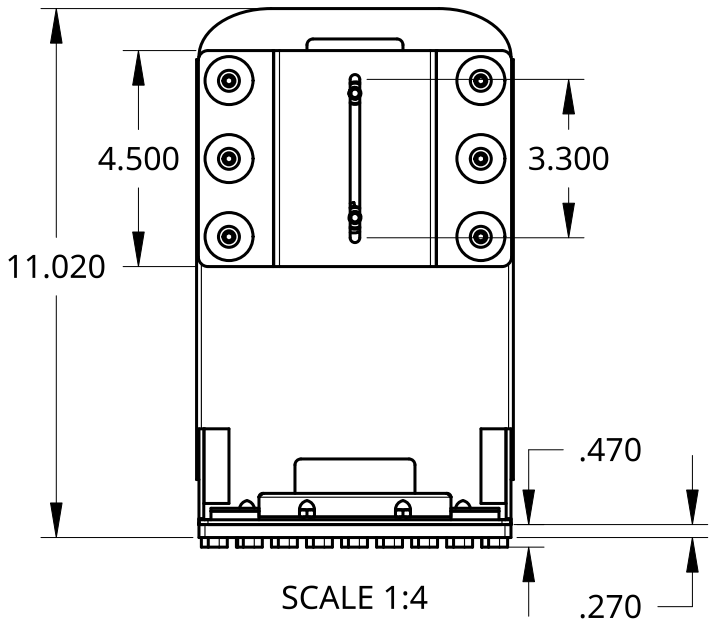
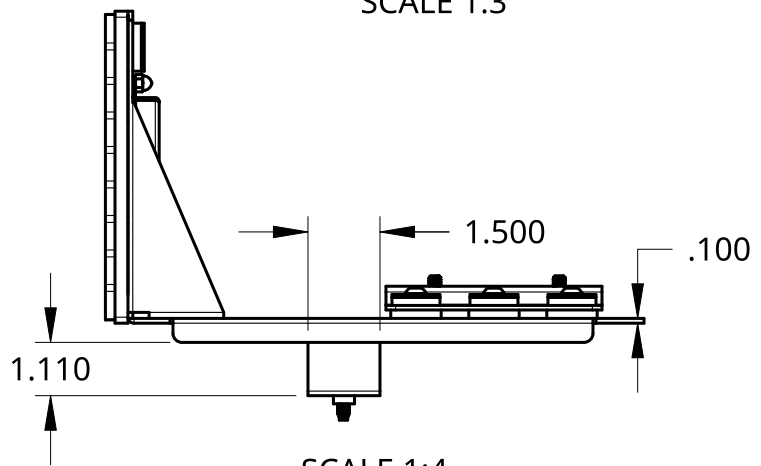
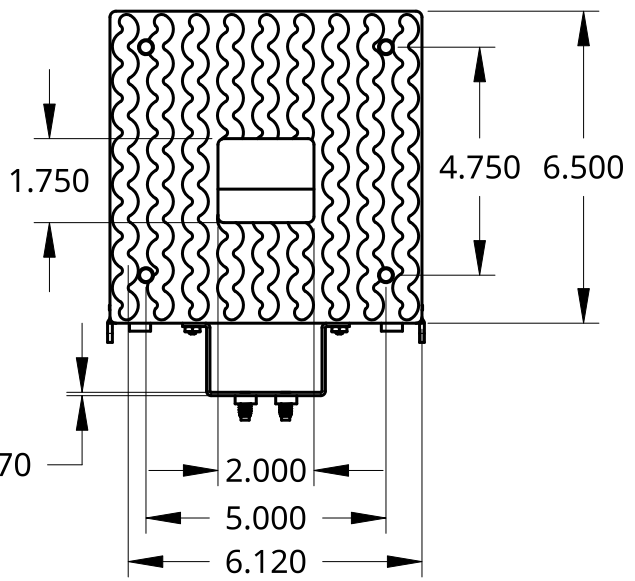


2

1



SCALE 1:3



SCALE 1:4

B

B

A

A

UNLESS OTHERWISE SPECIFIED, DIMENSIONS ARE IN INCHES .XX = ±.0- .XXX = ±.00- .XXXX = ±.000- SURFACE FINISH		NAME	DATE	TITLE <b>NB-AVCB-W Anti-Vibration Multi-Camera Mounting Bracket</b>	
DO NOT SCALE DRAWING	DRAWN	Bryan Dierking	04/23/2021		
BREAK ALL SHARP EDGES AND REMOVE BURRS	CHECKED	Hannah Brent			
THIRD ANGLE PROJECTION	APPROVED				
	MATERIAL	FINISH	SIZE <b>A</b>	DWG NO.	REV.
			SCALE 1:4, 1:3	WEIGHT	SHEET 1 of 1

2

1